



**Vendor:** Cisco

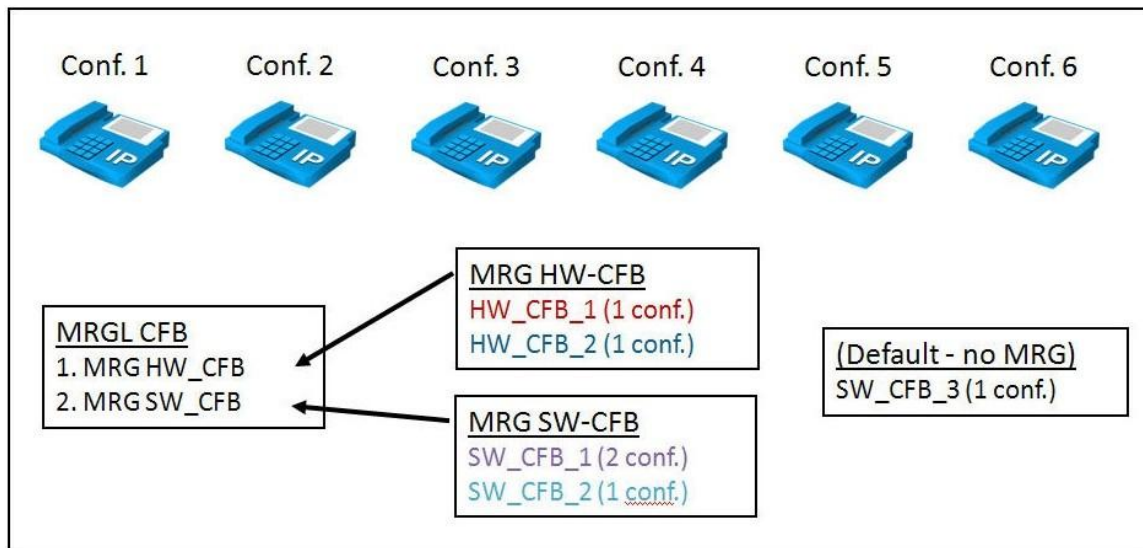
**Exam Code:** 642-447

**Exam Name:** Implementing Cisco Unified  
Communications Manager, Part 1 v8.0 (CIPT1 v8.0)

**Version:** DEMO

### QUESTION 1

Refer to the exhibit. Which conference resource is Conference 3 using assuming that the MRGL has just been reset and all 6 conferences have become active?



- A. HW\_CFB\_1
- B. HW\_CFB\_2
- C. SW\_CFB\_1
- D. SW\_CFB\_2
- E. SW\_CFB\_3

**Answer: B**

### QUESTION 2

Which protocol is recommended to be used between Cisco Unified Communications Manager and the voice gateway to simplify the dial plan?

- A. SIP
- B. SCCP
- C. H323
- D. RSVP
- E. MGCP

**Answer: E**

### QUESTION 3

Which protocol can Cisco Unified Communications Manager not use to monitor the status of the gateway?

- A. H.323
- B. SIP
- C. MGCP
- D. SCCP

**Answer: A**

**QUESTION 4**

Which option lists matches for the route pattern 38[^1-6]?

- A. 380, 387, 388, 389
- B. 381, 382, 383, 384, 385, 386 only
- C. 381, 386 only
- D. 381, 382, 383, 384, 385, 386, 38\*, 38# only

**Answer: A**

**QUESTION 5**

Which two options can a route pattern be assigned? (Choose two.)

- A. a route list with one or more route groups configured
- B. a route list with no route groups configured
- C. a gateway that is assigned to a route group
- D. a gateway that is not assigned to a route group

**Answer: AD**

**QUESTION 6**

Which route pattern is the best match for the range of 6000 to 6599?

- A. 6XXX
- B. 65XX
- C. 60XX
- D. 6[05]XX
- E. 6[0-5]XX

**Answer: E**

**QUESTION 7**

Which statement about the relationship between gateways and route groups is true?

- A. Each gateway can belong to only one route group and can be listed only once within that route group.
- B. Each gateway can belong to only one route group and can be listed multiple times within that route group.
- C. Each gateway can belong to multiple route groups and can be listed only once within each route group.
- D. Each gateway can belong to multiple route groups and can be listed multiple times within each route group.

**Answer: C**

**QUESTION 8**

Which two algorithms are valid to distribute calls in a route group? (Choose two.)

- A. round-robin
- B. top-down

- C. bottom-up
- D. broadcast
- E. circular

**Answer:** BE

**QUESTION 9**

Which option describes where you set up the toll-fraud prevention feature that drops any calls from a conference if no on-net users are still connected?

- A. in the service parameters for the Ad Hoc Conference Service
- B. in the service parameters for Cisco IP Voice Media Streaming App
- C. in the service parameters for Cisco CallManager
- D. in the enterprise parameters

**Answer:** C

**QUESTION 10**

Which two valid features prevent toll fraud? (Choose two.)

- A. CNC
- B. FAC
- C. CAC
- D. CSS

**Answer:** BD

**QUESTION 11**

The Cisco IP Phone of your company operator is on extension 7000. However, users normally dial 0 to get the operator.

Which action sends calls that were made to 0 to the operator?

- A. Create a route pattern of 0 and use a called party transform mask of 7XXX.
- B. Create the IP phone overlay feature so the operator's line has 0 and 7000 assigned to it.
- C. Create a translation pattern for 7000 and a called party transform mask of 0.
- D. Create a translation pattern for 0 and a called party transform mask of 7000.
- E. Create a translation pattern for 0 and a calling party transform mask of 7000.

**Answer:** D

**QUESTION 12**

Which two elements are configured to provide dialing privileges in Cisco Unified Communications Manager? (Choose two.)

- A. partitions
- B. regions
- C. enterprise phone configuration
- D. calling search spaces

**Answer:** AD

**QUESTION 13**

Which two statements about calling search spaces and partitions are true? (Choose two.)

- A. Partitions define who you can call.
- B. Partitions define who can call you.
- C. Calling search spaces can be assigned only to phones and gateways.
- D. Calling search spaces define who you can call.
- E. Calling search spaces define who can call you.

**Answer:** BD

**QUESTION 14**

Which option describes the objective of use partitions?

- A. Divide directory numbers with different privileges.
- B. Group called numbers with identical reachability characteristics.
- C. Provide calling privileges to implement CoS.
- D. Enable the use of FAC.
- E. Route different called patterns to a specific gateway.

**Answer:** B

## Thank You for Trying Our Product

### PassLeader Certification Exam Features:

- ★ More than **99,900** Satisfied Customers Worldwide.
- ★ Average **99.9%** Success Rate.
- ★ **Free Update** to match latest and real exam scenarios.
- ★ **Instant Download** Access! No Setup required.
- ★ Questions & Answers are downloadable in **PDF** format and **VCE** test engine format.
- ★ Multi-Platform capabilities - **Windows, Laptop, Mac, Android, iPhone, iPod, iPad.**
- ★ **100%** Guaranteed Success or **100%** Money Back Guarantee.
- ★ **Fast**, helpful support **24x7**.



View list of all certification exams: <http://www.passleader.com/all-products.html>



Microsoft



ORACLE



CITRIX



JUNIPER  
NETWORKS



EMC<sup>2</sup>  
where information lives®

**10% Discount Coupon Code: STNAR2014**