

**Exam Code:** NS0-310

**Exam Name:** Network Appliance Solution

Architect-Backup and Restore

**Vendor:** Network Appliance

**Version:** DEMO

## Part: A

1: In which of the two following instances does VTL helps in performance versus tape?

- A.Streaming multiple streams
- B.Slow Data Networks
- C.Millions of small files
- D.Small number of large files

**Correct Answers: A B**

2: Which one of the following OSSV clients are integrated with SnapManager for Exchange?

- A.SyncSort Backup Express
- B.CommVault QiNetix
- C.Bakbone NetVault
- D.None of the above

**Correct Answers: D**

3: Which one of the following is NOT controlled by SnapManager for Exchange?

- A.SnapMirror
- B.Snapshots
- C.SnapRestore
- D.VSS Snapshots for NetApp OSSV

**Correct Answers: D**

4: Customer wants to backup non-NetApp storage using NetBackup. They want easy online access to long history of backups. Which one of the disk-based NetApp solution should be proposed?

- A.VTL
- B.SnapVault for NetBackup
- C.NDMP
- D.OSSV

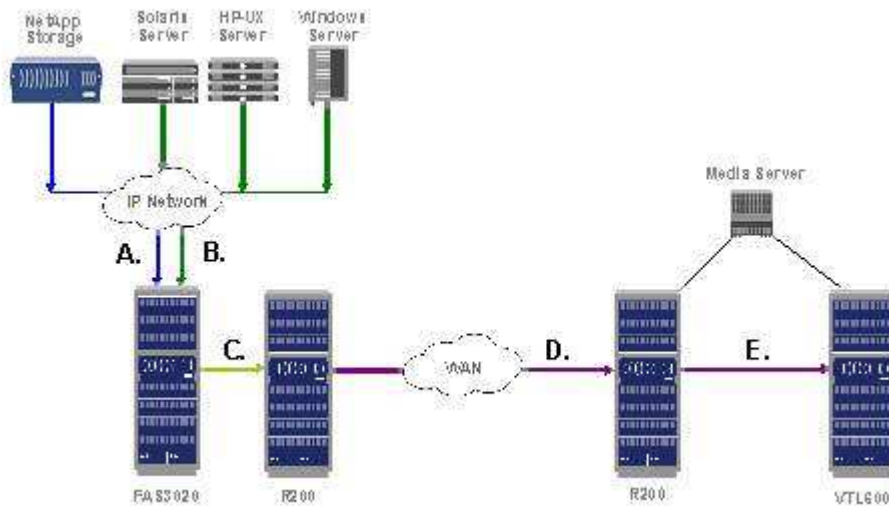
**Correct Answers: B**

5: A destination volume for backups and data retention is known as a \_\_\_\_\_?

- A.Vault
- B.Secondary Volume
- C.Mirror plex
- D.Cluster

**Correct Answers: B**

6: Looking at the diagram below, which one of the following is the supported configuration?



- A.(A) SnapVault, (B) OSSV. (C) SnapVault, (D) Async SnapMirror, (E) NDMP  
 B.(A) SnapVault, (B) SnapVault. (C) SnapMirror, (D) SnapMirror, (E) NDMP  
 C.(A) NDMP, (B) SnapVault. (C) SnapMirror, (D) SnapMirror, (E) NDMP  
 D.(A) SnapVault, (B) OSSV. (C) SnapMirror, (D) SnapMirror, (E) NDMP

**Correct Answers: D**

7: A customer wants to deploy DFM into an existing SnapVault environment to manage the SnapVault backup schedules. What will occur?

- A.DFM will Auto discover all existing SnapVault schedules  
 B.The command line schedules will be automatically ignored  
 C.Newly created DFM schedules will take precedence over command line schedules  
 D.Both schedulers will continue to run independently

**Correct Answers: D**

8: What OSSV command could you use to measure the network throughput on an OSSV primary?

- A.snapvault status  
 B.ossv status  
 C.snapvault perf  
 D.ossv perf

**Correct Answers: A**

9: Which backup mechanism is most closely tied to snapshots?

- A.VolCopy  
 B.SnapLock  
 C.SnapVault  
 D.NDMP

**Correct Answers: C**

10: What are the two key components of SnapVault for NetBackup?

- A.NearStore option license
- B.FAS 980
- C.NetBackup Enterprise 6.0 MP3 or later
- D.NetBackup 5.0 or later

**Correct Answers: A C**

11: Which methodology CANNOT be used to allow for a single file restore from tape to a NetApp FAS system?

- A.SnapMirror to tape
- B.NetBackup with NDMP
- C.NetBackup without NDMP
- D.The dump command

**Correct Answers: A**

12: Where is SnapVault snapshot scheduling controlled?

- A.Primary
- B.Secondary
- C.Primary and Secondary
- D.FilerView

**Correct Answers: C**

13: What is the maximum number of simultaneous SV/OSSV streams allowed to/from the FAS270?

- A.4
- B.8
- C.16
- D.128

**Correct Answers: B**

14: Which three of the following tools can be used to manage OSSV?

- A.Legato NetWorker.
- B.BakBone NetVault.
- C.CommVault QiNetix
- D.Syncsort Backup Express

**Correct Answers: B C D**

15: A customer with OSSV has used the SnapVault/SnapMirror bundle to convert their OSSV destination to R/W for testing. The testing was a success and they would like to copy their changes back to the OSSV primary. How can this be done?

- A.OSSV resync
- B.FTP
- C.SnapMirror resync
- D.None of the above

**Correct Answers: D**