



**Vendor:** Cisco

**Exam Code:** 640-722

**Exam Name:** Implementing Cisco Unified Wireless  
Networking Essentials v2.0

**Version:** DEMO

### QUESTION 1

What is the function of the Cisco AnyConnect DART tool?

- A. creates a compressed bundle of client logs and information
- B. visualizes a WLAN environment, showing the possible locations of problems
- C. gathers statistics from neighboring clients for comparison to the baseline
- D. helps to troubleshoot a WLAN connection by using easy-to-use wizards and statistic viewers

**Answer:** A

### QUESTION 2

Drag and Drop Questions

Drag the commands on the left that are enabled during a SSH or Telnet session with a lightweight AP and drop them on the right.

config terminal	Target
debug	Target
show	Target
enable	
clear	
delete	
reload	
upgrade	

**Answer:**

Drag the commands on the left that are enabled during a SSH or Telnet session with a lightweight AP and drop them on the right.

config terminal	debug
debug	show
show	enable
enable	
clear	
delete	
reload	
upgrade	

### QUESTION 3

Refer to the exhibit. What does the yellow shield with the exclamation mark indicate?



- A. The network uses open authentication and no encryption.
- B. The network uses an unsupported channel.
- C. The signal is too distorted to connect.
- D. The AP that is transmitting this SSID uses the wrong RF domain.
- E. This is the ad-hoc network.

**Answer:** A

#### **QUESTION 4**

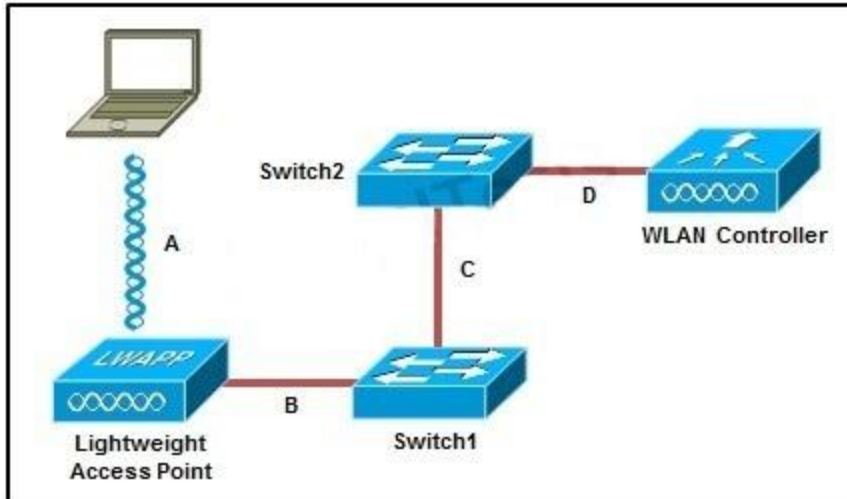
What are the interface statuses of a lightweight AP working in rogue-detection mode?

- A. radios turned off, Ethernet interface up
- B. radios and Ethernet interfaces up
- C. radios turned on, Ethernet interface shut down
- D. radios turned on, Ethernet interface status controlled by Cisco WLC

**Answer:** A

**QUESTION 5**

Refer to the exhibit. At which point in the network topology must the trunk be configured to support multiple SSIDs for voice and data separation?



- A. A
- B. B
- C. C
- D. D

**Answer: D**

**QUESTION 6**

You run minimum PEAP-GTC authentication in your wireless environment. Which version of Cisco Compatible Extensions supports PEAP-GTC?

- A. Cisco Compatible Extensions v1
- B. Cisco Compatible Extensions v2
- C. Cisco Compatible Extensions v3
- D. Cisco Compatible Extensions v4
- E. Cisco Compatible Extensions v5

**Answer: B**

**QUESTION 7**

Drag and Drop

Drag the Cisco WCS report from the left and drop it on the category it reports on to the right.

Worst Interferers	Performance
Network Utilization	CleanAir
PCI DSS Summary	Network Summary
802.11n Summary	Compliance

**Answer:**

Drag the Cisco WCS report from the left and drop it on the category it reports on to the right.

Worst Interferers	Network Utilization
Network Utilization	Worst Interferers
PCI DSS Summary	802.11n Summary
802.11n Summary	PCI DSS Summary

**QUESTION 8**

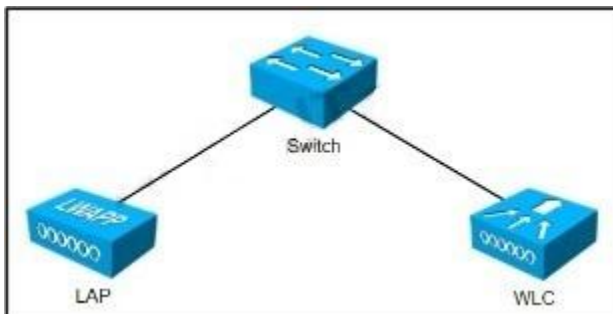
Which two pieces of information are needed for the wireless client to connect to the wireless network? (Choose two.)

- A. SSID
- B. security settings
- C. channel number
- D. AP name

**Answer:** AB

**QUESTION 9**

Refer to the exhibit. Which three switch port types are valid for these connections? (Choose three.)



- A. access
- B. port-channel
- C. port-channel trunk
- D. trunk

- E. port-channel access
- F. routed port

**Answer:** ACD

### QUESTION 10

Which of the following are three functions of Cisco RRM? (Choose three.)

- A. TPC
- B. intercontroller roaming
- C. dynamic channel assignment
- D. intracontroller roaming
- E. coverage hole detection

**Answer:** ACE

### QUESTION 11

Lab Simulation

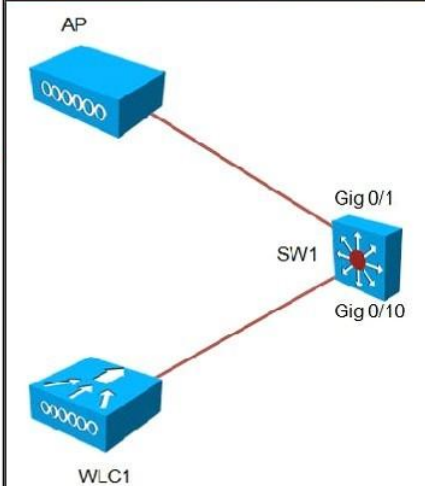
**Instructions**

- THIS TASK DOES NOT REQUIRE DEVICE CONFIGURATION.
- To access the multiple-choice questions, click on the numbered boxes on the left of the top panel.
- There are two multiple-choice questions with this task. Be sure to answer both questions before selecting the Next button.

**Scenario**

A wireless LAN controller and AP are correctly configured. Verification is needed for the logging attributes while AP power adjustments are needed. Use the exhibits to resolve these issues.

**Topology**



The diagram shows a network topology with three main components: an AP (Access Point), a switch (SW1), and a wireless LAN controller (WLC1). The AP is connected to SW1 via Gigabit Ethernet port Gig 0/1. The WLC1 is connected to SW1 via Gigabit Ethernet port Gig 0/10. The AP and WLC1 are represented by blue icons with antenna symbols, while SW1 is a blue square icon with a star in the center.

WLC 802.11bgn AP

### 802.11b/g/n Cisco APs > Configure

General		RF Channel Assignment	
AP Name	AP442b.036d.4d0f	Current Channel	11
Admin Status	Enable ▾	Channel Width	20 MHz ▾
Operational Status	UP	Assignment Method	<input checked="" type="radio"/> Global <input type="radio"/> Custom
Slot #	0	<i>Note: Only Channels 1,6 and 11 are nonoverlapping</i>	
11n Parameters		1x Power Level Assignment	
11n Supported	Yes	Current TX Power Level	5
ClientLink	<input type="checkbox"/>	Assignment Method	<input type="radio"/> Global <input checked="" type="radio"/> Custom 5 ▾
CleanAir		Performance Profile	
CleanAir Capable	No	View and edit Performance Profile for this AP	
CleanAir Admin Status	Disable ▾	<b>Performance Profile</b>	
Antenna Parameters		<i>Note: Changing any of the parameters causes the Radio to be temporarily disabled and thus may result in loss of connectivity for some clients.</i>	
Antenna Type	Internal ▾		
Antenna	A <input checked="" type="checkbox"/> B <input checked="" type="checkbox"/> C <input checked="" type="checkbox"/>		

WLC 802.11an AP

### 802.11an Cisco APs > Configure

General		RF Channel Assignment	
AP Name	AP442b.036d.4d0f	Current Channel	149
Admin Status	Enable ▾	Channel Width *	20 MHz ▾
Operational Status	UP	<i>* Channel width can be configured only when channel configuration mode</i>	
Slot #	1	Assignment Method	<input checked="" type="radio"/> Global <input type="radio"/> Custom
11n Parameters		Tx Power Level Assignment	
11n Supported	Yes	Current TX Power Level	4
ClientLink	<input type="checkbox"/>	Assignment Method	<input type="radio"/> Global <input checked="" type="radio"/> Custom 4 ▾
CleanAir		Performance Profile	
CleanAir Capable	No	View and edit Performance Profile for this AP	
CleanAir Admin Status	Disable ▾	<b>Performance Profile</b>	
Antenna Parameters		<i>Note: Changing any of the parameters causes the Radio to be temporarily disabled and thus may result in loss of connectivity for some clients.</i>	
Antenna Type	Internal ▾		
Antenna	A <input checked="" type="checkbox"/> D <input checked="" type="checkbox"/> C <input checked="" type="checkbox"/>		

Logging

MONITOR WLANs CONTROLLER WIRELESS SECURITY **MANAGEMENT** COMMANDS HELP FEEDBACK

### Syslog Configuration

Syslog Server IP Address

#### Syslog Server

10.10.10.25

Syslog Level

Syslog Facility

#### Msg Log Configuration

Buffered Log Level

Console Log Level

File Info

Trace Info

Which four levels of messages will be sent to the logging server? (Choose four.)

- A. alerts
- B. critical
- C. debugging
- D. emergencies
- E. errors
- F. informational
- G. notifications
- H. warnings

**Answer:** ABDE

**Explanation:**

There are a total of 8 logging severity levels. They are:



Level Number	Severity Level	Description
0	emergencies	System is unusable.
1	alert	Immediate action is needed.
2	critical	Critical conditions
3	error	Error conditions
4	warning	Warning conditions.
5	notification	Normal but significant conditions.
6	informational	Informational messages only.
7	debugging	Debugging messages only.

We can see from the output that the severity level was set to Critical, which means that all messages level 3 and less will be sent.

## Thank You for Trying Our Product

### PassLeader Certification Exam Features:

- ★ More than **99,900** Satisfied Customers Worldwide.
- ★ Average **99.9%** Success Rate.
- ★ **Free Update** to match latest and real exam scenarios.
- ★ **Instant Download** Access! No Setup required.
- ★ Questions & Answers are downloadable in **PDF** format and **VCE** test engine format.
- ★ Multi-Platform capabilities - **Windows, Laptop, Mac, Android, iPhone, iPod, iPad.**
- ★ **100%** Guaranteed Success or **100%** Money Back Guarantee.
- ★ **Fast**, helpful support **24x7**.



View list of all certification exams: <http://www.passleader.com/all-products.html>



Microsoft



ORACLE



CITRIX



JUNIPER  
NETWORKS



EMC<sup>2</sup>  
where information lives®

**10% Discount Coupon Code: STNAR2014**