



**Vendor:** HP

**Exam Code:** HP0-J62

**Exam Name:** HP Storage Solutions Foundation

**Version:** DEMO

### QUESTION 1

A company is planning an online backup strategy for a highly available database application.

Which key component must be included in the backup strategy?

- A. Rollback logs
- B. Temp logs
- C. Transaction logs
- D. Event logs

**Answer: C**

### QUESTION 2

A customer wants to upgrade their backup architecture and is considering a backup-to-tape solution. They want to achieve the highest performance possible with this solution.

Which critical performance factor should they consider when choosing a tape device?

- A. The ability to keep the device streaming
- B. The capacity of the tape cartridges
- C. The type of backup software being used
- D. The type of data to be backed up

**Answer: A**

**Explanation:**

#### Device streaming and concurrency

What is device streaming?

To maximize a device performance, it must be kept streaming. A device is streaming if it can feed enough data to the medium to keep the medium moving forward continuously. Otherwise, the medium tape has to be stopped while the device waits for more data. In other words, if the rate at which data is written to the tape is less than or equal to the rate which data can be delivered to the device by the computer system, then the device is streaming. In network-focused backup infrastructures, this deserves attention. For local backups, where disks and devices are connected to the same system, a concurrency of 1 may suffice if your disks are fast enough.

How to configure device streaming

To allow the device to stream, a sufficient amount of data must be sent to the device. Data Protector accomplishes this by starting multiple Disk Agents for each Media Agent that writes data to the device.

### QUESTION 3

A customer is planning unattended backups of multiple branch offices. They do not need off-site storage, but rapid reserves are essentials?

Which backup storage technology should they implement?

- A. Backup to disk-based storage
- B. Backup to local tape drives
- C. Backup to SAN-attached tape libraries
- D. Backup to network-shared optical jukeboxes

Answer: A

Explanation:

Another backup device is the virtual tape library. A virtual library system (VLS) is a disk-based storage solution that can offer both unattended backup and rapid restores of data for LAN-based servers.

#### QUESTION 4

A company has a large database application that runs on Microsoft SQL Server 2012 on an HP 3PAR StoreServe array. The company's current backup strategy is to use tapes for archived storage. The company needs to minimize the recovery time required to restore transactional data.

Which technology should the company use?

- A. RAID mirroring
- B. Snapshots
- C. Remote replication
- D. SQL mirroring

Answer: B

Explanation:

### HP 3PAR Recovery Manager for Microsoft SQL Server

**Provides a rapid and efficient local backup and disaster recovery solution for Microsoft SQL Server databases**

Are you being forced to choose between performing fewer SQL Server backups or spending more for storage? HP 3PAR Recovery Manager software for Microsoft SQL Server is a highly efficient solution for automatically creating and managing hundreds of application-consistent, reservationless, PIT snapshots of Microsoft SQL Server databases for rapid online recovery. **Snapshots can be used** to restore SQL Server databases quickly or back up databases to tape nondisruptively for near-continuous data protection. Because HP 3PAR Recovery Manager software leverages highly efficient HP 3PAR Virtual Copy software, scores of snapshots can be kept online economically, allowing extended or frequent recovery points. Unlike host-based backup solutions where the time to backup is proportional to the database size, HP 3PAR Recovery Manager software creates snapshots instantaneously, irrespective of database size. This capability enables organizations to maintain consistent service levels even with large, multiterabyte databases.

#### QUESTION 5

Which feature of SNMP defines the structure of the SNMP response relative to a device subsystem?

- A. SNMP agent

- B. Management Information Base (MIB)
- C. SNMP manager
- D. SNMP trap

**Answer: B**

**Explanation:**

[https://docs.jboss.org/author/display/MOBICENTS/SNMP+Adaptor?\\_sscc=t](https://docs.jboss.org/author/display/MOBICENTS/SNMP+Adaptor?_sscc=t)

#### QUESTION 6

A system administrator wants to add five external juke boxes with four disks each to the wide SCSI controller of a server. The internal boot disks and CD-ROM are installed on a second controller.

How many additional LUNs will be visible on the server after connecting the juke boxes?

- A. 4
- B. 5
- C. 20
- D. 25

**Answer: C**

**Explanation:**

#### Logical unit numbers

Each SCSI ID device can be broken down into logical unit numbers (LUNs). The number of LUNs available depends on the number of available data lines, as follows:

- 8 (LUNs 0 to 7) for Narrow SCSI
- 16 (LUNs 0 to 15) for Wide SCSI

Each disk in a device can be addressed independently through LUNs (a four-disk CD jukebox could be assigned LUN 0 to 3).

#### Example

A CD-ROM storage system that contains six individual CD-ROM drives is addressed logically as a single SCSI device and requires only one SCSI ID. The individual CD-ROM drives are addressed using LUNs. Consequently, it is possible to daisy chain up to 7 (15 for Wide) CD-Rom expansion units (containing a total of 42 CD-ROM drives) on a single SCSI bus.

#### QUESTION 7

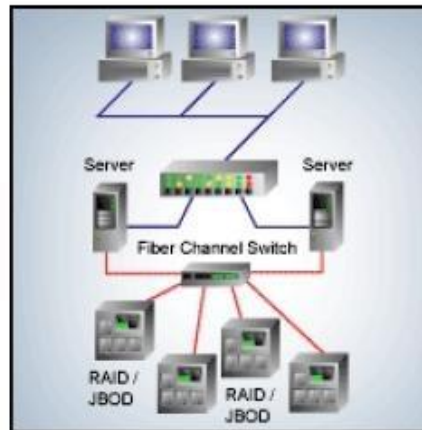
Which benefit does a SAN storage solution provide?

- A. Consolidated and virtualized storage with high availability
- B. Easy-to-deploy, low-cost storage with fast server-to-storage data transfer
- C. easy-to-use, industry-standard TCP/IP and Ethernet Protocols
- D. fast access to unstructured data and load balancing across the disks

**Answer: A**

**Explanation:**

## Storage Area Networks



The SAN is a separate network that provides a storage repository that is attached to multiple host servers. SANs enable external storage to be shared by the servers without impacting system performance or the primary network.

A SAN solution supplies open-system servers running applications on an open operating system. The solution includes shared external storage resources, network infrastructure components (such as, Fibre Channel hubs and switches), and value-added software for enhanced storage and data management. This technology provides consolidated and virtualized storage with massive scalability and fault tolerance.

### QUESTION 8

A company has deployed a large file share, and expects 100 GB of new or changed data each day. The company would like to backup all objects in the file share and restore the share as quickly as possible.

The company would share and restore the share as quickly as possible.

Which technology should the company use?

- A. Incremental backups
- B. Synthetic full backups
- C. differential backups
- D. Full backups

**Answer: B**

### QUESTION 9

A system administrator is managing a massively-scalable high-performance storage system. The administrator needs to create virtual private arrays with advanced workload segregation without compromising performance.

Which feature of converged utility storage enables the administrator to accomplish this task?

- A. Multitenancy



- B. Autonomic tiering
- C. Storage orchestration
- D. Autonomic management

**Answer: A**

**Explanation:**

**Converged utility storage** takes advantage of specialized architectures to deliver unique capabilities such as multitenancy, autonomic management, and autonomic storage tiering within a massively scalable, high-performance storage system. These are tier 1 storage platforms built on a clustered architecture designed for large-scale implementations.

- Multitenancy enables the creation of Virtual Private Arrays (VPAs) with advanced workload segregation for massive consolidation capabilities without sacrificing performance
- Autonomic management and storage tiering capabilities balance cost and performance while dramatically reducing administration time.
- Integration with HP Data Center Orchestration Software and HP CloudSystem provides a simplified path to the cloud.
- Storage born for the cloud—designed to boost efficiency in public and private cloud employments.

#### **QUESTION 10**

What is the purpose of LUN presentation?

- A. To enable/disable a specific host to access a LUN
- B. To allow tape devices to access data on a LUN
- C. To prevent large I/O reads from disk devices
- D. To create shared folders on Ethernet-attached storage

**Answer: A**

## Thank You for Trying Our Product

### PassLeader Certification Exam Features:

- ★ More than **99,900** Satisfied Customers Worldwide.
- ★ Average **99.9%** Success Rate.
- ★ **Free Update** to match latest and real exam scenarios.
- ★ **Instant Download** Access! No Setup required.
- ★ Questions & Answers are downloadable in **PDF** format and **VCE** test engine format.
- ★ Multi-Platform capabilities - **Windows, Laptop, Mac, Android, iPhone, iPod, iPad.**
- ★ **100%** Guaranteed Success or **100%** Money Back Guarantee.
- ★ **Fast**, helpful support **24x7**.



View list of all certification exams: <http://www.passleader.com/all-products.html>



Microsoft



ORACLE



CITRIX



JUNIPER  
NETWORKS



EMC<sup>2</sup>  
where information lives®

**10% Discount Coupon Code: STNAR2014**