



Vendor: Cisco

Exam Code: 300-835

Exam Name: Automating Cisco Collaboration Solutions
(CLAUTO)

Version: DEMO

QUESTION 1

Drag and Drop Question

Drag drop the code to create a valid AXL API script to create a new Route Partition, using the Python Zeep library. Not all options are used.

Answer Area

```

from requests import Session
from requests import auth
from zeep import Client
from zeep.transports import Transport

session = Session()
session.auth = auth. [ ] ('Administrator', 'ciscopsdt')

client = Client(wsdl = ' [ ] ', transport = Transport(session=session))

service = client.create_service('{http://www.cisco.com/AXLAPIService/}AXLAPIBinding' ,
    'https://ds-ucm1251.cisco.com [ ] ')

data = {
    'name': 'Secure Lab'
}

resp = service. [ ] (data)
    
```

- | | | | |
|--|--|--|---|
| <input type="text" value=":8443/axl/"/> | <input type="text" value="AXLAPI.wsdl"/> | <input type="text" value="AXLSoap.xsd"/> | <input type="text" value="HTTPDigestAuth"/> |
| <input type="text" value="HTTPBasicAuth"/> | <input type="text" value="createPartition"/> | <input type="text" value="addRoutePartition"/> | <input type="text" value="/axlapi"/> |

Answer:

Answer Area

```

from requests import Session
from requests import auth
from zeep import Client
from zeep.transports import Transport

session = Session()
session.auth = auth. [ HTTPBasicAuth ] ('Administrator', 'ciscopsdt')

client = Client(wsdl = ' [ AXLAPI.wsdl ] ', transport = Transport(session=session))

service = client.create_service('{http://www.cisco.com/AXLAPIService/}AXLAPIBinding' ,
    'https://ds-ucm1251.cisco.com [ :8443/axl/ ] ')

data = {
    'name': 'Secure Lab'
}

resp = service. [ addRoutePartition ] (data)
    
```

- | | |
|--|---|
| <input type="text" value="AXLSoap.xsd"/> | <input type="text" value="HTTPDigestAuth"/> |
| <input type="text" value="createPartition"/> | <input type="text" value="/axlapi"/> |

QUESTION 2

What are two keys features of Cisco Unified Communications Manager Serviceability APIs? (Choose two.)

- A. save alarms and events for troubleshooting
- B. connect to serial console on phone hardware
- C. configure firewall rules on phone hardware
- D. scan servers and devices for malware
- E. real-time monitoring of components

Answer: AE

QUESTION 3

Which statement describe the function of the perfmonCollectCounterData operation used in the Cisco Unified Communications Manager Serviceability Perfmon API?

- A. It returns the Perfmon data for all counters that belong to an object on a particular host.
- B. It collects files from RTMT.
- C. It collects the Perfmon data for all counters that have been added with perfmonAddCounter to the session handle returned from perfmonOpenSession.
- D. It returns the list of available Perfmon objects and counters on a particular host.

Answer: A

QUESTION 4

Which two capabilities can be implemented in a custom application using the Cisco Unified IP Phone Services API? (Choose two.)

- A. Authenticate the phone to the network.
- B. Display corporate directory information.
- C. Play multicast messages.
- D. Upgrade phone firmware.
- E. Create new phone devices.

Answer: CE

QUESTION 5

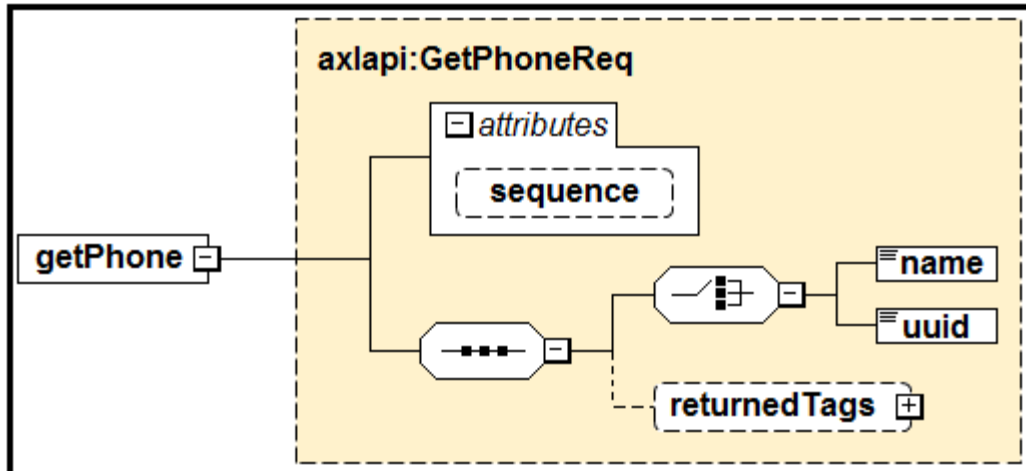
After the AXL query ns:updatePhone is used to upgrade a phone configuration successfully, the phone does not reflect the change. Which other method must be performed for the change to take effect?

- A. ns:getPhone
- B. ns:restartPhone
- C. ns:rebootPhone
- D. ns:savePhone

Answer: B

QUESTION 6

Refer to the exhibit. Based on the schema diagram in the exhibit, which two XML objects are valid AXL <getPhone> request <Body> elements? (Choose two.)


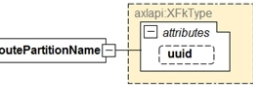
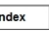


- A. `<soapenv:Body>`
`<ns:getPhone sequence="1">`
`<name>BOT209342098</name>`
`<returnedtags><model/></returnedtags>`
`</ns:getPhone>`
`</soapenv:Body>`
- B. `<soapenv:Body>`
`<ns:getPhone>`
`<name>BOT209342098</name>`
`<returnedTags><model/></returnedTags>`
`</ns:getPhone>`
`</soapenv:Body>`
- C. `<soapenv:Body>`
`<ns:getPhone>`
`<name>BOT209342098</name>`
`<uuid>{2B1931A2-8FC2-A0C2-7282-B88B5A6356A0}</uuid>`
`</ns:getPhone>`
`</soapenv:Body>`
- D. `<soapenv:Body>`
`<ns:getPhone sequence="1">`
`<uuid>{2B1931A2-8FC2-A0C2-7282-B88B5A6356A0}</uuid>`
`</ns:getPhone>`
`</soapenv:Body>`
- E. `<soapenv:Body>`
`<ns:getPhone sequence="1">`
`<name>BOT209342098</name>`
`<returnedTags>All</returnedTags>`
`</ns:getPhone>`
`</soapenv:Body>`

Answer: E

QUESTION 7

Refer to the exhibit. When a Calling Search Space is updated and a new member is added, how is a member defined?

complexType XCallingSearchSpaceMember													
diagram													
namespace	http://www.cisco.com/AXL/API/12.5												
children	routePartitionName index												
used by	elements XCcs/members/member UpdateCcsReq/removeMembers/member UpdateCcsReq/addMembers/member UpdateCcsReq/members/member												
source	<pre><xsd:complexType name="XCallingSearchSpaceMember"> <xsd:sequence minOccurs="0"> <xsd:element name="routePartitionName" type="axlapi:XfkType" minOccurs="1" maxOccurs="1"/> <xsd:element name="index" type="axlapi:Xinteger" minOccurs="1" maxOccurs="1"/> </xsd:sequence> </xsd:complexType></pre>												
element XCallingSearchSpaceMember/routePartitionName													
diagram													
type	axlapi:XfkType												
properties	content complex												
attributes	<table border="1"> <thead> <tr> <th>Name</th> <th>Type</th> <th>Use</th> <th>Default</th> <th>Fixed</th> <th>Annotation</th> </tr> </thead> <tbody> <tr> <td>uuid</td> <td>axlapi:XUUID</td> <td>optional</td> <td></td> <td></td> <td></td> </tr> </tbody> </table>	Name	Type	Use	Default	Fixed	Annotation	uuid	axlapi:XUUID	optional			
Name	Type	Use	Default	Fixed	Annotation								
uuid	axlapi:XUUID	optional											
source	<pre><xsd:element name="routePartitionName" type="axlapi:XfkType" minOccurs="1" maxOccurs="1"/></pre>												
element XCallingSearchSpaceMember/routePartitionName													
diagram													
type	axlapi:Xinteger												
properties	content simple												
attributes	<table border="1"> <thead> <tr> <th>Name</th> <th>Type</th> <th>Use</th> <th>Default</th> <th>Fixed</th> <th>Annotation</th> </tr> </thead> <tbody> <tr> <td>uuid</td> <td>axlapi:XUUID</td> <td>optional</td> <td></td> <td></td> <td></td> </tr> </tbody> </table>	Name	Type	Use	Default	Fixed	Annotation	uuid	axlapi:XUUID	optional			
Name	Type	Use	Default	Fixed	Annotation								
uuid	axlapi:XUUID	optional											
source	<pre><xsd:element name="index" type="axlapi:Xinteger" minOccurs="1" maxOccurs="1"/></pre>												

- A.

```
<member uuid="{F6E0CD00-EC18-F16D-32E1-80C9A7A3D602}">
  <routePartitionName uuid="{5F2B2FFD-C7D2-4F30-9EF5-60110B56B939}">pt_translation-
    pattern_n</routePartitionName>
  <index>1</index>
</member>
```
- B.

```
<member uuid="{F6E0CD00-EC18-F16D-32E1-80C9A7A3D602}">
  <routePartitionName>
    <uuid>"{5F2B2FFD-C7D2-4F30-9EF5-60110B56B939}"</uuid>
    <name>pt_translation-pattern_n</name>
  </routePartitionName>
  <index>1</index>
</member>
```
- C.

```
<member>
  <routePartitionName uuid="{5F2B2FFD-C7D2-4F30-9EF5-60110B56B939}">pt_translation-
    pattern_n</routePartitionName>
  <index>1</index>
</member>
```
- D.

```
<member">
  <routePartitionName uuid="{5F2B2FFD-C7D2-4F30-9EF5-60110B56B939}">
    <name>pt_translation-pattern_n</name>
  </routePartitionName>
  <index>1</index>
</member>
```

Answer: D

Thank You for Trying Our Product

Passleader Certification Exam Features:

- ★ More than **99,900** Satisfied Customers Worldwide.
- ★ Average **99.9%** Success Rate.
- ★ **Free Update** to match latest and real exam scenarios.
- ★ **Instant Download** Access! No Setup required.
- ★ Questions & Answers are downloadable in **PDF** format and **VCE** test engine format.
- ★ Multi-Platform capabilities - **Windows, Laptop, Mac, Android, iPhone, iPod, iPad**.
- ★ **100%** Guaranteed Success or **100%** Money Back Guarantee.
- ★ **Fast**, helpful support **24x7**.



View list of all certification exams: <http://www.passleader.com/all-products.html>



Microsoft



ORACLE



CITRIX



JUNIPER
NETWORKS



EMC²
where information lives

10% Discount Coupon Code: ASTR14