



Vendor: HP

Exam Code: HPE6-A73

Exam Name: Aruba Certified Switching Professional Exam

Version: DEMO

QUESTION 1

A network administrator is attempting to troubleshoot a connectivity issue between a group of users and a particular server. The administrator needs to examine the packets over a period of time from their desktop; however, the administrator is not directly connected to the AOS-CX switch involved with the traffic flow.

What is correct regarding the ERSPAN session that needs to be established on an AOS-CX switch? (Choose two.)

- A. On the source AOS-CX switch, the destination specified is the switch to which the administrator's desktop is connected
- B. On the source AOS-CX switch, the destination specified is the administrator's desktop
- C. The encapsulation protocol used is GRE
- D. The encapsulation protocol used is VXLAN
- E. The encapsulation protocol is UDP

Answer: BC

Explanation:

AOS switches support mirroring to other AOS switches. AOS-CS switches, however, do not support this feature. Instead, the remote mirroring must be to a device that supports it, like Wireshark.

QUESTION 2

What is correct regarding the tunneling of user traffic between AOS-CX switches and Aruba Mobility Controllers (MCs)?

- A. Uses IPSec to protect the management and data traffic
- B. Uses IPSec to protect the management traffic
- C. Supports only port-based tunneling
- D. Uses the same management protocol as Aruba APs

Answer: D

Explanation:

Both AP and Switch use PAPI . Moreover in AOS-CX switch currently not support port based tunnel. AOS-CX switch only support User Based Tunnel (UBT).

QUESTION 3

An administrator is implementing a downloadable user role solution involving AOS-CX switches. The AAA solution and the AOS-CX switches can successfully authenticate users; however, the role information fails to download to the switches. What policy should be added to an intermediate firewall to allow the downloadable role function to succeed?

- A. Allow TCP 443
- B. Allow UDP 1811
- C. Allow UDP 8211
- D. Allow TCP 22

Answer: A

Explanation:

Roles can be configured locally on the switch using a Local User Role (LUR) or on a ClearPass server, using a downloadable user role (DUR). Roles that are configured locally can be assigned

via any RADIUS server, using the Aruba-User-Role VSA. When using DUR, the ClearPass HPE-CPPM-Role VSA is used in combination with HTTPS to transfer the role to the switch.

QUESTION 4

MAC authentication is enabled on port 1/1/27 of an AOS-CX switch. The following MAC addresses are defined on the AAA server:

- * 88:3a:30:97:b6:00
- * 00:50:56:b1:fc:9b

Examine the AOS-CX switch output:

```
Switch# show mac-address-table detail
MAC age-time           : 300 seconds
Number of MAC addresses : 10
```

MAC Address	VLAN	Type	Port	Age	Denied	never_ageout
20:4c:03:5f:98:02	1	dynamic	lag256	300	false	false
88:3a:30:97:b6:00	11	port-access-security	1/1/27	300	false	false
00:50:56:b1:fc:9b	11	port-access-security	1/1/27	300	true	false
02:02:00:00:12:00	11	dynamic	lag256	300	false	false
90:20:c2:bc:17:00	11	dynamic	lag256	300	false	false

Based on this information, what is true concerning port 1/1/27?

- A. Device-mode is enabled with a client limit of 1.
- B. Device-mode is enabled with a client limit of 2.
- C. Client-mode is enabled with a client limit of 1.
- D. Client-mode is enabled with a client limit of 2.

Answer: C

Explanation:

client-mode = Selects client mode. In this mode, all clients connecting to the port are sent for authentication.

device-mode = Selects device mode. In this mode, only the first client connecting to the port is sent for authentication. Once this client is authenticated, the port is considered as open and all subsequent clients trying to connect on that port are not sent for authentication.

QUESTION 5

An administrator will be replacing a campus switching infrastructure with AOS-CX switches that support VSX capabilities. The campus involves a core, as well as multiple access layers. Which feature should the administrator implement to allow both VSX-capable core switches to process traffic sent to the default gateway in the campus VLANs?

- A. VRF
- B. VRRP
- C. IP helper
- D. Active gateway

Answer: D

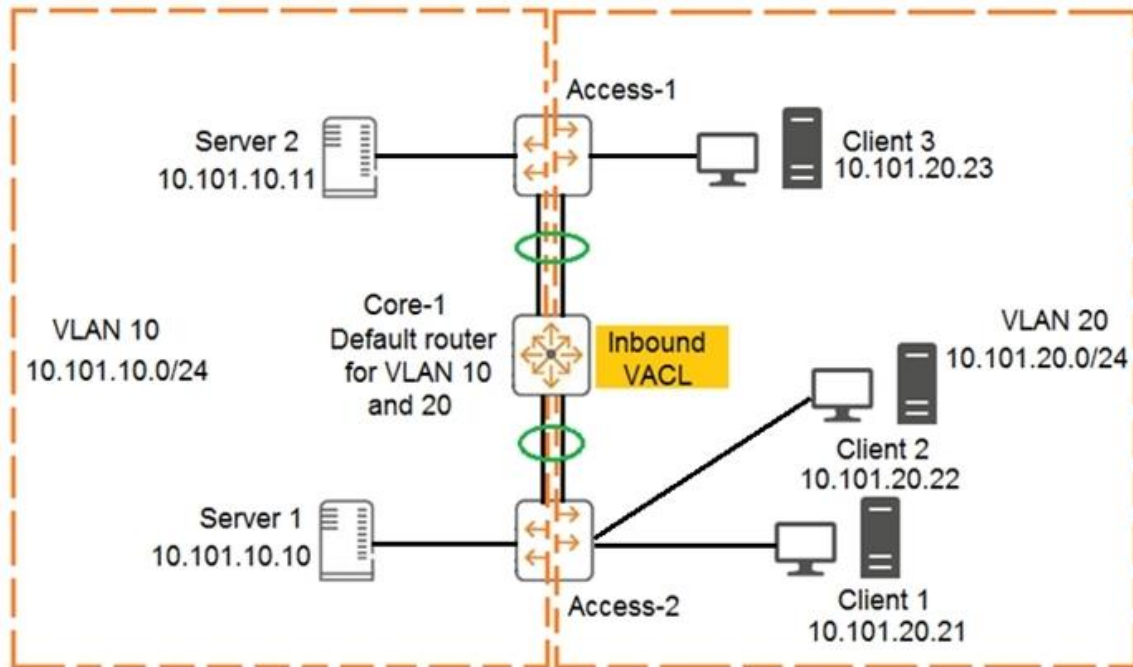
Explanation:

Understand the Active Gateway principle

In a VSX system, active gateway provides redundant default gateway functionality for the end-hosts. The default gateway of the end-host is automatically handled by both the VSX systems.

QUESTION 6

Examine the network exhibit:



The ACL configuration defined on Core-1 is as follows:

```
Core-1(config)# access-list ip example
Core-1(config-acl-ip)# permit ip 10.101.20.21/32 any eq 23
Core-1(config-acl-ip)# permit ip 10.101.20.21/32 eq 23 any
Core-1(config-acl-ip)# exit
Core-1(config)# vlan 20
Core-1(config-if)# apply access-list example in
```

If telnet was being used, which device connection would be permitted and functional in both directions? (Choose two.)

- A. Client 3 to Client 2
- B. Client 1 to Client 2
- C. Server 2 to Client 2
- D. Server 1 to Client 1
- E. Client 1 to Client 3

Answer: BD

Explanation:

B is correct because the traffic never crosses the core so the VACL is not used.

D is correct because the server is inbound to VLAN 10 so VACL is not used and return traffic is permitted by VACL.

QUESTION 7

An administrator has an aggregation layer of 8325CX switches configured as a VSX pair. The administrator is concerned that when OSPF network changes occur, the aggregation switches will respond to the changes slowly, and this will affect network connectivity, especially VoIP calls, in the connected access layer switches.

What should the administrator do on the aggregation layer switches to alleviate this issue?

- A. Implement route aggregation
- B. Implement bidirectional forwarding detection (BFD)
- C. Reduce the hello and dead interval timers
- D. Implement graceful restart

Answer: A

Explanation:

OSPF routing changes and not about the neighbour going down. BFD is useful only when neighbour goes down. If you aggregate routes then there will be less chance of the individual routing change impacting this router.

QUESTION 8

An administrator is defining a VSX LAG on a pair of AOS-CX switches that are defined as primary and secondary. The VSX LAG fails to establish successfully with a remote switch; however, after verification, the remote switch is configured correctly. The administrator narrows down the problem to the configuration on the AOS-CX switches.

What would cause this problem?

- A. Local optimization was not enabled on the VSX LAG
- B. The VSX LAG hash does not match the remote peer
- C. The VSX LAG interfaces are in layer-3 mode
- D. LACP was enabled in active mode on the VSX LAG

Answer: C

Explanation:

VSX LAG are not supported at Layer 3.

VSX LAG does support all the standard LAG adjustments: timers, L2 or L3 hashing, LACP fallback.

It supports both LACP mode active or static mode, and only Layer 2 (i.e. no routed mode).

QUESTION 9

Which option correctly defines how to identify a VLAN as a voice VLAN on an AOS-CX switch?

- A. Switch(config)# port-access lldp-group <LLDP-group-name>
Switch(config-ldp-group)# vlan <VLAN-ID>
- B. Switch(config)# port-access role <role-name>
Switch(config-pa-role)# vlan access <VLAN-ID>

- C. Switch(config)# vlan <VLAN-ID>
Switch(config-vlan-<VLAN-ID>)# voice
- D. Switch(config)# vlan <VLAN-ID> voice

Answer: C

Explanation:

To create a voice VLAN, configure the voice command in the VLAN context, like this:

```
Switch(config)# vlan <VLAN-ID>
```

```
Switch(config-vlan)# voice
```

So answer C

QUESTION 10

A company requires access by all users, guests, and employees to be authenticated. Employees will be authenticated using 802.1X, whereas guests will be authenticated using captive portal. Which type of authentication must be configured on an AOS-CX switch ports where both guests and employees connect?

- A. Both 802.1X and captive portal
- B. 802.1X only
- C. Both 802.1X and MAC-Auth
- D. 802.1X, captive portal, and MAC-Auth

Answer: C

Explanation:

Employees use 802.1x

The Aruba guest solution uses MAC-auth.

The Portal is not configured on the switch port.

QUESTION 11

An administrator creates an ACL rule with both the "count" and "log" option enabled. What is correct about the action taken by an AOS-CX switch when there is a match on this rule?

- A. By default, a summarized log is created every minute with a count of the number of matches
- B. Logging will not include certificate and TLS events, but counting will
- C. The "count" and "log" options are processed by the AOS-CX switch's hardware ASIC
- D. The total in the "log" record and the count could contain different rule matching statistics

Answer: D

Explanation:

You may see a minor discrepancy between the ACL logging statistics and the hit counts statistics due to the time required to record the log message.

QUESTION 12

A company has recently upgraded their campus switching infrastructure with AOS-CX switches. They have implemented 802.1X authentication on access ports where laptop and IOT devices typically connect. An administrator has noticed that for POE devices, the AOS-CX switch ports are delivering the maximum wattage to the port instead of what the device actually needs.

Concerned about this waste of electricity, what should the administrator implement to solve this problem?

- A. Implement a classifier policy with the correct power definitions
- B. Create device profiles with the correct power definitions
- C. Enable AAA authentication to exempt LLDP and/or CDP information
- D. Globally enable the QoS trust setting for LLDP and/or CDP

Answer: C

Explanation:

LLDP packets are not allowed by default on aaa authenticated ports until the device passes authentication. To circumvent this for some situations like the one above, the aaa authentication port-access allow-ldp-bpdu command can be used.

QUESTION 13

An administrator is replacing the current access switches with AOS-CX switches. The access layer switches must authenticate user and networking devices connecting to them. Some devices support no form of authentication, and some support 802.1X. Some ports have a VoIP phone and a PC connected to the same port, where the PC is connected to the data port of the phone and the phone's LAN port is connected to the switch.

Which statement is correct about this situation?

- A. 802.1X must be configured to work in fallback mode
- B. Device fingerprinting is required for authentication
- C. The client-limit setting for port access needs to be changed
- D. Device mode should be implemented

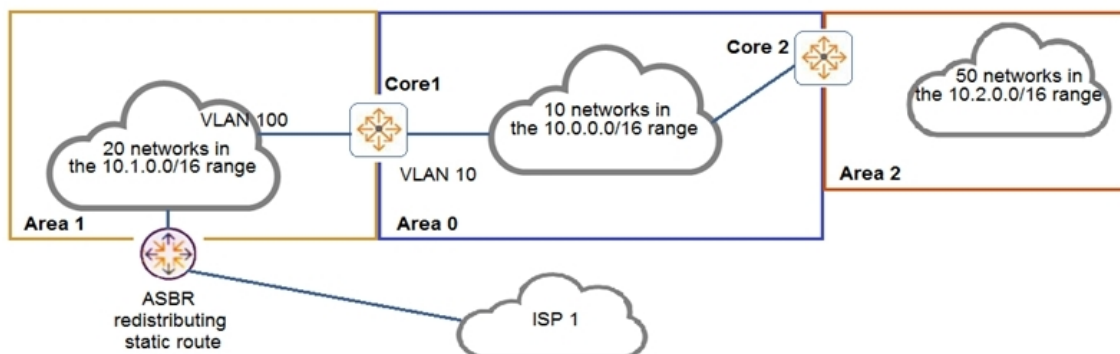
Answer: C

Explanation:

Some devices support no form of authentication, and some support 802.1X. Some ports have a VoIP phone and a PC connected to the same port. There are devices who support 802.1X and some no authentication at all, which leaves MAC auth as only possibility - or bypassing 802.1X (fallback).

QUESTION 14

Examine the network topology.



The network is configured for OSPF with the following attributes:

- Core1 and Core2 and ABRs
- Area 1 has 20 networks in the 10.1.0.0/16 range
- Area 0 has 10 networks in the 10.0.0.0/16 range

- Area 2 has 50 networks in the 10.2.0.0/16 range
- The ASBR is importing a static route into Area 1
- Core2 has a summary for Area 2: area 0.0.0.2 range 10.2.0.0/16 type inter-area

Here is the OSPF configuration performed on Core1:

```
Core1(config)# router ospf 1
Core1(config-router)# router-id 10.0.0.1
Core1(config-router)# passive-interface default
Core1(config-router)# area 0.0.0.0
Core1(config-router)# area 0.0.0.1 stub
Core1(config-router)# area 0.0.0.1 range 10.1.0.0/16 type inter-area
Core1(config-router)# area 0.0.0.2
Core1(config-router)# area 0.0.0.0 range 10.0.0.0/16 type inter-area
Core1(config-router)# exit
Core1(config)# interface vlan 10
Core1(config-if)# ip address 10.0.1.1/24
Core1(config-if)# ip ospf 1 area 0
Core1(config-if)# exit
Core1(config)# interface vlan 100
Core1(config-if)# ip address 10.1.1.1/24
Core1(config-if)# ip ospf 1 area 1
Core1(config-if)# exit
```

Based on the above information, what is correct?

- A. Area 0 has 13 routes
- B. Core1 has no OSPF routes
- C. Core1 has received one LSA Type 5 from the ASBR
- D. Area 1 has 23 routes

Answer: B

Explanation:

Because with "passive interface default" you would need a no passive interface on the Vlan 10 and Vlan 100 interfaces for neighborhoods to be established.

QUESTION 15

An administrator of a company has concerns about upgrading the access layer switches. The users rely heavily on wireless and VoIP telephony. Which is the best recommendation to ensure a short downtime for the users during upgrading the access layer switches?

- A. Install the in-service software upgrade (ISSU) feature with clustering enabled
- B. Install AOS-CX 6300 or 6400 switches with always-on POE
- C. Implement VSF on the AOS-CX access switches
- D. Implement VSX on the AOS-CX access switches

Answer: B

Explanation:

The key is to reduce the impact. VSF or not will have same impact when the switch reboots. But if the switch support always on poe then at least the POE clients will be ready before the switch finish booting up. If you dont have always on POE, then the poe clients will reboot AFTER the switch boots up.

QUESTION 16

Examine the commands entered on an AOS-CX switch:

```
switch(config)# pbr-action-list test1
switch(config-pbr-action-list-test1)# nexthop 1.1.1.1
switch(config-pbr-action-list-test1)# nexthop 2.2.2.2
switch(config-pbr-action-list-test1)# default-nexthop 9.9.9.9
switch(config-pbr-action-list-test1)# interface null
switch(config-pbr-action-list-test1)# exit
switch(config)# interface vlan 100
switch(config-if)# apply policy test1 routed-in
```

What is true regarding this configuration for traffic received on interface 100?

- A. The default next-hop address supersedes the two preceding next-hop addresses
- B. The traffic is always dropped is the next-hop addresses are unreachable
- C. The traffic will be routed with the IP routing table entries if the next-hop addresses are unreachable
- D. The next-hop address of 1.1.1.1 is overwritten by the next-hop address of 2.2.2.2

Answer: C

Explanation:

If 1.1.1.1 is not reachable then next hop uses 2.2.2.2 if both of these are unreachable then normal routing table is used..and only if no route is available in routing table then default next-hop will kick-in.

Thank You for Trying Our Product

Passleader Certification Exam Features:

- ★ More than **99,900** Satisfied Customers Worldwide.
- ★ Average **99.9%** Success Rate.
- ★ **Free Update** to match latest and real exam scenarios.
- ★ **Instant Download** Access! No Setup required.
- ★ Questions & Answers are downloadable in **PDF** format and **VCE** test engine format.
- ★ Multi-Platform capabilities - **Windows, Laptop, Mac, Android, iPhone, iPod, iPad.**
- ★ **100%** Guaranteed Success or **100%** Money Back Guarantee.
- ★ **Fast**, helpful support **24x7**.



View list of all certification exams: <http://www.passleader.com/all-products.html>



Microsoft



ORACLE



JUNIPER
NETWORKS



EMC²
where information lives

10% Discount Coupon Code: ASTR14