



Vendor: HP

Exam Code: HPE6-A78

Exam Name: Aruba Certified Network Security Associate
Exam

Version: DEMO

QUESTION 1

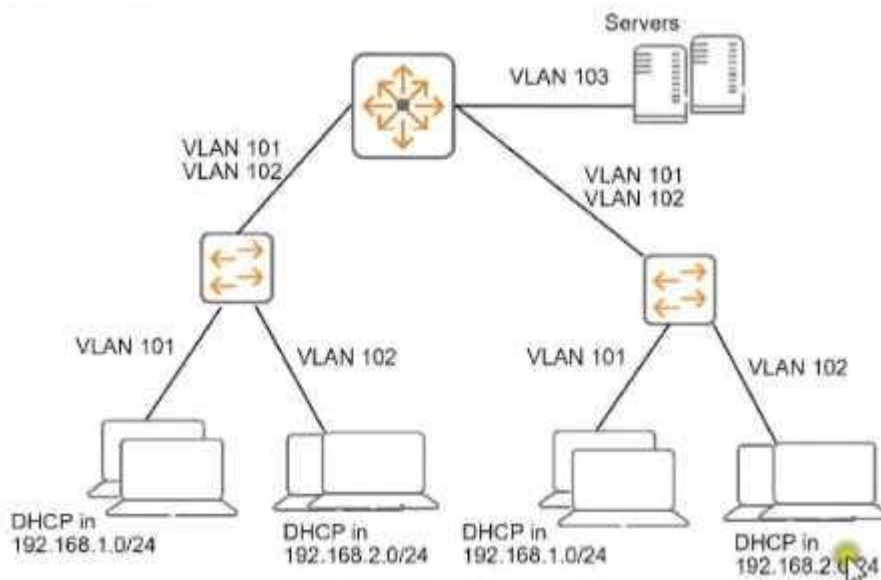
What is a benefit of Protected Management Frames (PMF), sometimes called Management Frame Protection (MFP)?

- A. PMF helps to protect APs and MCs from unauthorized management access by hackers.
- B. PMF ensures that traffic between APs and Mobility Controllers (MCs) is encrypted.
- C. PMF prevents hackers from capturing the traffic between APs and Mobility Controllers.
- D. PMF protects clients from DoS attacks based on forged de-authentication frames

Answer: A

QUESTION 2

Refer to the exhibit. You need to ensure that only management stations in subnet 192.168.1.0/24 can access the ArubaOS-Switches' CLI, Web UI, and REST interfaces. The company also wants to let managers use these stations to access other parts of the network. What should you do?



- A. Establish a Control Plane Policing class that selects traffic from 192.168.1.0/24.
- B. Specify 192.168.1.0 255.255.255.0 as authorized IP manager address
- C. Configure the switch to listen for these protocols on OOBM only.
- D. Specify vlan 100 as the management vlan for the switches.

Answer: A

QUESTION 3

What is a benefit of Opportunistic Wireless Encryption (OWE)?

- A. It allows both WPA2-capable and WPA3-capable clients to authenticate to the same WPA-Personal WLAN
- B. It offers more control over who can connect to the wireless network when compared with WPA2-Personal
- C. It allows anyone to connect, but provides better protection against eavesdropping than a traditional open network

- D. It provides protection for wireless clients against both honeypot APs and man-in-the-middle (MUM) attacks

Answer: C

QUESTION 4

You are troubleshooting an authentication issue for Aruba switches that enforce 802.1x on a cluster of Aruba ClearPass Policy Manager (CPPMs). You know that CPPM is receiving and processing the authentication requests because the Aruba switches are showing Access-Rejects in their statistics. However, you cannot find the record for the Access-Rejects in CPPM Access Tracker. What is something you can do to look for the records?

- A. Make sure that CPPM cluster settings are configured to show Access-Rejects
- B. Verify that you are logged in to the CPPM UI with read-write, not read-only, access
- C. Click Edit in Access viewer and make sure that the correct servers are selected.
- D. Go to the CPPM Event Viewer, because this is where RADIUS Access Rejects are stored.

Answer: A

QUESTION 5

What are some functions of an ArubaOS user role?

- A. The role determines which authentication methods the user must pass to gain network access
- B. The role determines which firewall policies and bandwidth contract apply to the client's traffic
- C. The role determines which wireless networks (SSIDs) a user is permitted to access
- D. The role determines which control plane ACL rules apply to the client's traffic

Answer: A

QUESTION 6

You need to deploy an Aruba instant AP where users can physically reach it. What are two recommended options for enhancing security for management access to the AP? (Select two)

- A. Disable its console ports
- B. Place a Tamper Evident Label (TELS) over its console port
- C. Disable the Web UI.
- D. Configure WPA3-Enterprise security on the AP
- E. install a CA-signed certificate

Answer: BE

QUESTION 7

A company is deploying ArubaOS-CX switches to support 135 employees, which will tunnel client traffic to an Aruba Mobility Controller (MC) for the MC to apply firewall policies and deep packet inspection (DPI). This MC will be dedicated to receiving traffic from the ArubaOS-CX switches. What are the licensing requirements for the MC?

- A. one AP license per-switch

- B. one PEF license per-switch
- C. one PEF license per-switch. and one WCC license per-switch
- D. one AP license per-switch. and one PEF license per-switch

Answer: D

QUESTION 8

Your Aruba Mobility Master-based solution has detected a rogue AP. Among other information the ArubaOS Detected Radios page lists this Information for the AP:

SSID = PublicWiFi
BSSID = a8M27 12 34:56
Match method = Exact match
Match type = Eth-GW-wired-Mac-Table

The security team asks you to explain why this AP is classified as a rogue. What should you explain?

- A. The AP is connected to your LAN because it is transmitting wireless traffic with your network's default gateway's MAC address as a source MAC. Because it does not belong to the company, it is a rogue.
- B. The AP has a BSSID that matches authorized client MAC addresses. This indicates that the AP is spoofing the MAC address to gain unauthorized access to your company's wireless services, so it is a rogue.
- C. The AP has been detected as launching a DoS attack against your company's default gateway. This qualifies it as a rogue which needs to be contained with wireless association frames immediately.
- D. The AP is spoofing a router's MAC address as its BSSID. This indicates that, even though WIP cannot determine whether the AP is connected to your LAN, it is a rogue.

Answer: D

QUESTION 9

Refer to the exhibit. How can you use the thumbprint?

```
Switch# show crypto host-public-key fingerprint
3072 9c:04:01:0e:e6:93:b1:4e:1f:f6:95:a9:74:9e:c8:f9: host_ssh2.pu
```

- A. Install this thumbprint on management stations to use as two-factor authentication along with manager usernames and passwords, this will ensure managers connect from valid stations.
- B. Copy the thumbprint to other Aruba switches to establish a consistent SSH Key for all switches. This will enable managers to connect to the switches securely with less effort.
- C. When you first connect to the switch with SSH from a management station, make sure that the thumbprint matches to ensure that a man-in-the-middle (MITM) attack is not occurring.
- D. Install this thumbprint on management stations. The stations can then authenticate with the thumbprint instead of admins having to enter usernames and passwords.

Answer: C

Thank You for Trying Our Product

Lead2pass Certification Exam Features:

- ★ More than **99,900** Satisfied Customers Worldwide.
- ★ Average **99.9%** Success Rate.
- ★ **Free Update** to match latest and real exam scenarios.
- ★ **Instant Download** Access! No Setup required.
- ★ Questions & Answers are downloadable in **PDF** format and **VCE** test engine format.
- ★ Multi-Platform capabilities - **Windows, Laptop, Mac, Android, iPhone, iPod, iPad**.
- ★ **100%** Guaranteed Success or **100%** Money Back Guarantee.
- ★ **Fast**, helpful support **24x7**.



View list of all certification exams: <http://www.lead2pass.com/all-products.html>



Microsoft



ORACLE



CITRIX



JUNIPER
NETWORKS



EMC²
where information lives

10% Discount Coupon Code: ASTR14